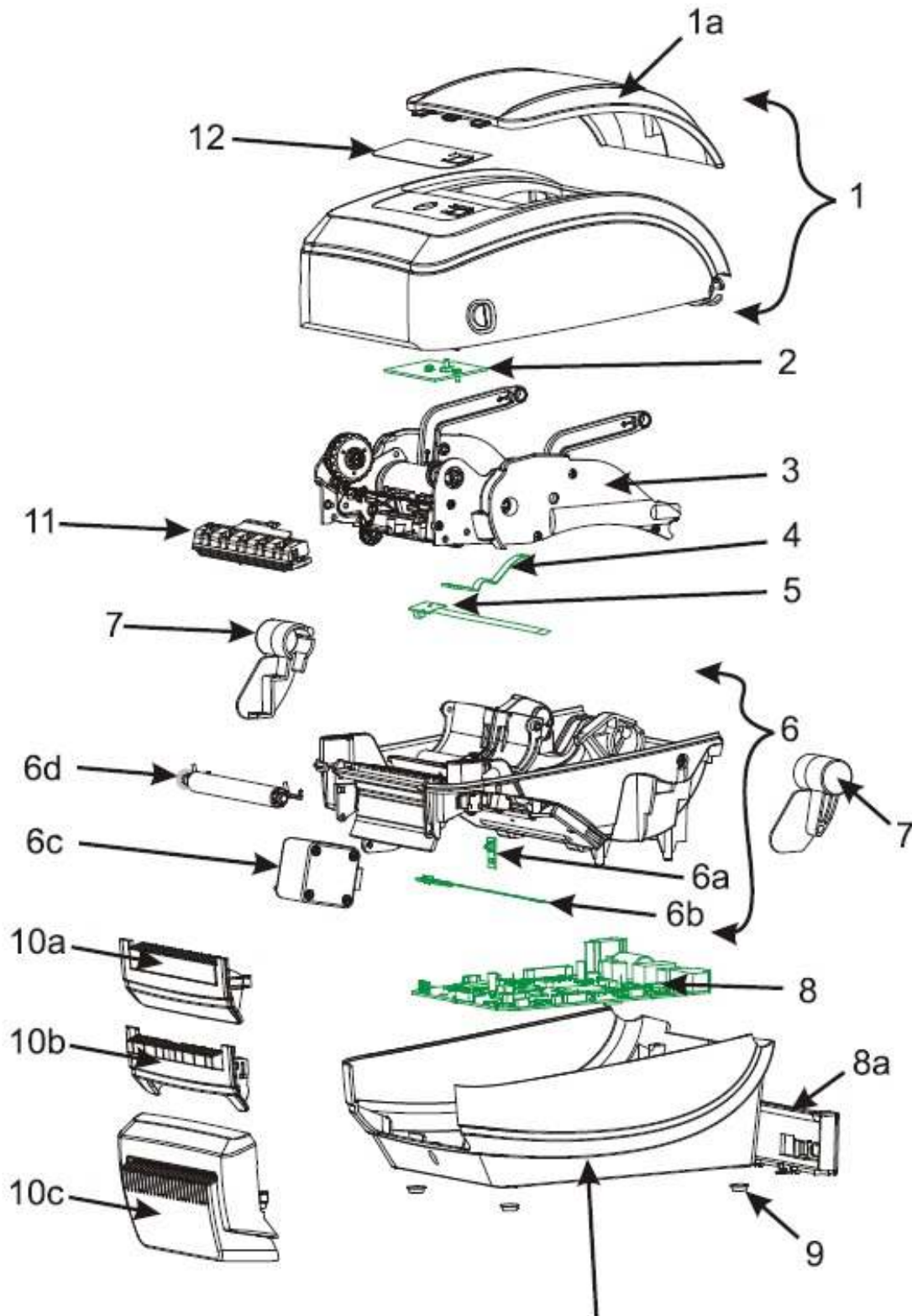


# Spare Parts List Desktop Printers

**GX430t: GX43-1X2XXX-XXX** (The "2" in the 8th digit is the key designator for R2.0 on all G-series)



Note: the printer base is only available through the Zebra Repair Depot.

## Spare Parts List Desktop Printers

**GX430t: GX43-1X2XXX-XXX** (The "2" in the 8th digit is the key designator for R2.0 on all G-series)

Item	Description	Part Number
1	Cover Assy ( Thermal Transfer) (includes Media Window)	P1027135-050
1a	Media Window ( Thermal Transfer)	105934-002
2	Feed Switch (Thermal Transfer)	105934-004
	LCD Display/Feed Switch (with Bluetooth Wireless)	105934-056
	LCD Display/Feed Switch (with 802.11g Wireless)	105934-057
3	Ribbon Carriage, 300 dpi	P1027135-047
4	Upper Gap Sensor, Fixed (Thermal Transfer)	P1027135-003
	Upper Gap Sensor, Movable (Thermal Transfer)	P1027135-004
5	Ribbon Out Sensor (Thermal Transfer)	P1027135-014
6	PrntMech Fxd Snsr,300(TT) inc Gap/Blckln Snsr, Motor, Pltn, Head Up Snsr	P1027135-009
6b	Gap/Blackline Sensor, Fixed (Thermal Transfer)	P1027135-013
6	PrntMech Mvbl Snsr,300 dpi(TT)inc Gap/Blckln Snsr,Mtr,Pltn,HeadUp Snsr	P1027135-010
6b	Gap/Blackline Sensor, Moveable	P1027135-012
6a	Head Up Sensor (Thermal Transfer)	105934-042
6c	Motor Assy., 300dpi	P1027135-042
6d	Platen, Std (Thermal Transfer)	P1027135-040
	Platen Bearings (Thermal Transfer)	105934-099
7	Cover Hinge Right and Left (Thermal Transfer)	105934-048
8	GX Main Logic Board, USB/Serial/Parallel, 300DPI, ZBI	P1027135-022
8	GX Main Logic Board, USB/Serial/Parallel, 64MB, RTC, 300DPI, ZBI	P1027135-023
8	GX MLB, USB/Serial/Parallel, 64MB, RTC, 300DPI, Liner Tag Cutter, ZBI	P1027135-034
8a	Back Panel, USB/Serial/Parallel (Thermal Transfer)	P1027135-020
8	GX Main Logic Board, USB/Serial/Ethernet, 300DPI, ZBI	P1027135-024
8	GX Main Logic Board, USB/Serial/Ethernet, 64MB, RTC, 300DPI, ZBI	P1027135-025
8	GX MLB, USB/Serial/Ethernet, 64MB, RTC, 300DPI, Liner Tag Cutter, ZBI	P1027135-032
8a	Back Panel, USB/Serial/Ethernet (Thermal Transfer)	105934-087
8	GX Main Logic Board, USB/Serial/Bluetooth 64MB, 300DPI, ZBI	P1027135-027
8	GX MLB, USB/Serial/Bluetooth 64MB,300DPI,Liner Tag Cutter,ZBI	P1027135-030
8a	Back Panel, USB/Serial/Wireless (Thermal Transfer)	105934-090
8	GX MLB USB, Serial, 802.11b/g Wireless, 64MB,300DPI,RTC,ZBI,ZComax	P1040103-001
8	GX MLB USB, Serial, 802.11 b/g Wireless, 64MB,300DPI,RTC,CTR,ZBI,ZComax	P1040103-002
	Interface Fuse, 1A	105934-076
	Battery, 3V Lithium (set of 10)	G105950-003

## Spare Parts List Desktop Printers

**GX430t: GX43-1X2XXX-XXX** (The "2" in the 8th digit is the key designator for R2.0 on all G-series)

Item	Description	Part Number
9	Rubber Foot (set of 5)	105934-024
10a	Front Bezel, Std (Thermal Transfer)	105934-030
10b	Front Bezel, Dispenser (Thermal Transfer)	P1027135-045
10c	Med Duty Partial Cutter (Thermal Transfer)	105934-110
10c	Light Duty Cutter (Thermal Transfer)	105934-032
10c	Medium Duty Full Cut Cutter (Thermal Transfer)	105934-033
11	Printhead, 300dpi (Thermal Transfer)	105934-039
12	Nameplate, GX430t (Thermal Transfer)	105934-064
	Nameplate, GX430t with LCD (Thermal Transfer)	105934-069
Not Shown	Shipping Pack – Packaging for shipping the printer (Thermal Transfer)	105934-151
	Users CD-ROM	P1027135-049
	Power Supply, 75W, C13, with US & Euro Cords	P1079903-026
	Power Cord, U.S. 120V IEC320C13 (set of 5)	105950-014
	Power Cord, Euro 220V IEC320C13 (set of 5)	105950-015
	Power Cord, U.K. 240V IEC320C13 (set of 5)	105950-030
	Power Cord, Australia 240V IEC320C13 (set of 5)	105950-029
	Power Cord, China 220V C13 (set of 5)	105950-078
	Power Cord, Japan 125V JAPAN C13 (set of 5)	105950-079
	Power Cord, 220V Argentina C13 (set of 5)	105950-080
	Power Cord, 10A NBR 14136, Brazil (set of 5)	P1033401
	Ribbon Core, 4" thermal transfer (set of 50)	P1027135-048
	CD-ROM, Service, G-Series	105950-087